

Keilton + autani

DWS102 Series

Line Voltage Ultrasonic Occupancy/
Vacancy Sensor Bluetooth® Wall
Switch



Description

The DWS102 Series ultrasonic (US) sensor switch detects human motion by sensing changes in heat signatures relative to the background. The sensor switch turns the load ON when motion is detected. The load remains ON during occupancy detection and automatically turns OFF after no motion is detected for a configurable time period.

The DWS102 includes one relay and an ambient light level sensor for daylight hold-off functionality, which ensures the lighting load remains OFF when the ambient light level exceeds the configured threshold.

A 4-button Bluetooth® control interface provides Dim Up, Dim Down, ON, and OFF functions.

Features

- Ultrasonic technology
- 120–277 V universal voltage
- Occupancy/Vacancy operation (2-in-1)
- Integrated ultrasonic sensor and photo sensor with hold-off function
- 4-button Bluetooth® control
- Dim Up; Dim Down; ON; OFF

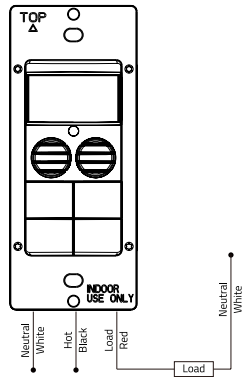
Specifications

Input Voltage	AC 120–277 V
Frequency	50/60 Hz
Output Voltage	AC 120–277 V
Output Current	6 A max
Output Power	720 W max @ 120 V 1662 W max @ 277 V
Bluetooth Transmit Range	100 ft max
Radio Frequency	2.4 GHz ±75 MHz
Bluetooth Version	5.0
Housing Material	UL 94-5VA
Indoor/Outdoor Use	Indoor use only
Operating Temperature	0°C to 55°C (32°F to 131°F)
Storage Temperature	-30°C to 85°C (-22°F to 185°F)
IP Rating	IP20
Color	White
Warranty	5-year warranty
Compliance	RoHS
Safety	cULus Listed LED Controller E504054 FCC ID: 2A26YIWS102 IC ID: 33617-IWS102 DID: D061367 DLC: NLTRC5KLOTN

Ordering Information

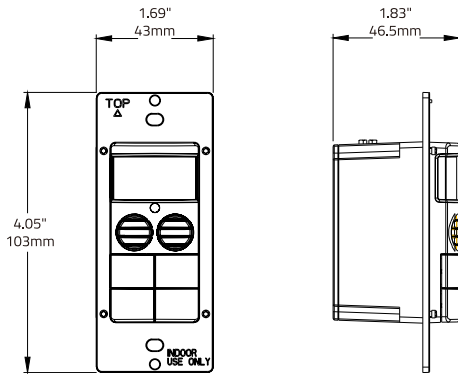
Model	Description
DWS102.A0	4-button wall switch with Dim Up, Dim Down, ON, and OFF

Wiring

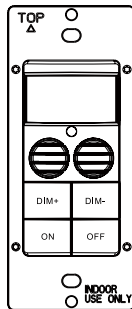
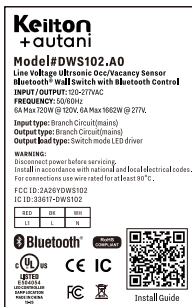


Dimensions

Unit: inch/mm



Product Label



The Bluetooth word mark and logos are registered trademarks owned by Bluetooth SIG, Inc. and any use of such marks by LiteTrace is under license. Other trademarks and trade names are those of their respective owners.

App Download



Due to our continued efforts to improve our products, specifications are subject to change without notice.

Contact Us

7001 Columbia Gateway Drive, Suite 210, Columbia, MD 21046, USA

T: +1 443-320-2233 (M-F 9am-5pm ET)

E: support@autani.com

Revised on 2-27-2026